

Lead Acid Battery Chargers

POWER
SOLVE

www.powersolve.co.uk

ED1048 Series
60 Watts 3 Stage Charger
Universal AC Input

Features

- Universal AC Input of 90-264VAC, 50/60Hz
- 3 pin IEC320-C14 Inlet Connector
- 3 Stage Charging with tri-colour LED indicator
- Ideal for charging 12V or 24V Lead Acid Batteries
- 60 Watts maximum output power
- Fully sealed plastic case
- EMC meets EN55022'B'
- Optional output connector
- EN60950 Safety Standards, 12V version has EN60601 medical safety approvals



Electrical Specification

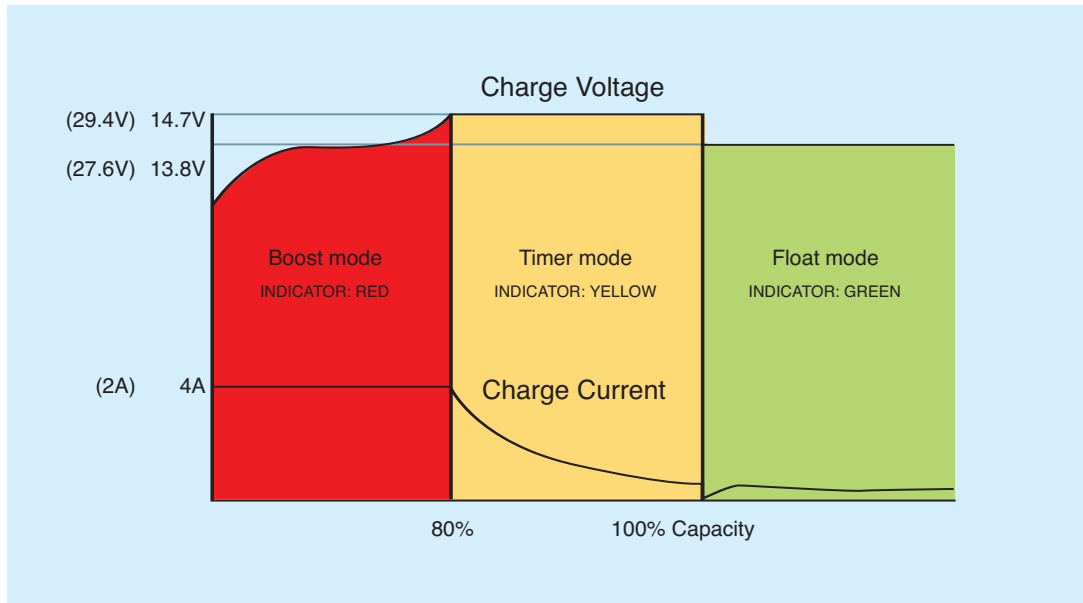
Input Voltage:	90-264VAC
Input Frequency:	47-63Hz
Input Current:	1.4A Max
Inrush Current:	50A Max
Turn On Delay:	3 seconds Max @ 100VAC
Efficiency:	72% Min at nominal input Max Load
Operating Temperature:	0 to 40 °C
Storage Temperature:	-20 to +85 °C
Output Voltage:	See table
Ripple & Noise:	12V charger 100mV max 24V charger 240mV max
Max Output Power:	60 Watts
Charging Voltage (12V):	14.7V Fast Charge 13.8V Trickle Charge
Charging Voltage (24V):	29.4V Fast Charge 27.6V Trickle Charge
Indication:	RED – Constant Current YELLOW – Constant Voltage Timer GREEN – Constant Voltage Stand-by
Timer:	2 Hours +/-30 Minutes
Safety:	EN60950 safety standards 12V version EN60601 medical

MODEL	NOMINAL VOLTAGE	MIN LOAD	MAX LOAD
ED1048-12M	12V DC	0.1A	4A
ED1048-24	24V DC	0.1A	2A

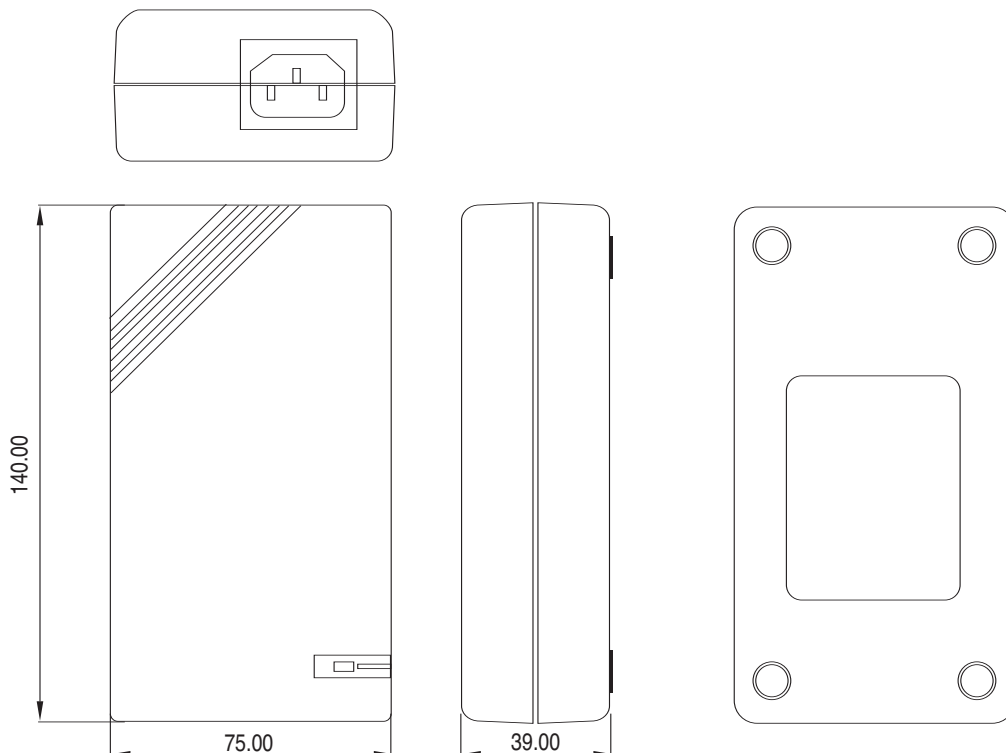
Lead Acid Battery Chargers



www.powersolve.co.uk



Dimensions in mm



Output Lead & Connector: Stock items have a lead length of 1.8 Metre terminated in a 2.5 x 5.5 x 11mm barrel connector, centre positive.

Optional connectors available – consult sales office for details

Powersolve Electronics Ltd. Units 8A, Arnhem Road, Newbury, RG14 5RU. England

Tel: 01635 521858 Fax: 01635 523771 Email: sales@powersolve.co.uk