

# USB Charger (Wall Mounting)

**POWER  
SOLVE**

[www.powersolve.co.uk](http://www.powersolve.co.uk)

## PKS11-USB 10.5 Watt USB Charger Single 5V 2.1A output

Features:-

- Universal 90-264VAC input
- Interchangeable AC heads
- Meets Level VI efficiency standards
- Output via standard USB socket
- Conforms to RoHS standards
- Full International Safety Approvals
- EMC to EN55022'B', CISPR22 'B' & FCC 'B'



### Electrical Specification

Input Voltage & Frequency	90-264VAC, 50/60Hz
Input Current	0.5A max
No Load Input Power	0.1 Watts max
Inrush Current on turn on	60A
Line Regulation	±5%
Load Regulation	±5%
Ripple & Noise	120mV pk-pk
Efficiency	79.04% min 25-100%
Turn On Delay	4000mS
Start Up Rise Time	20 mSec
Hold Up	20 mSec
Output Overshoot	<10 %
Temperature Coefficient	±0.05%/°C
Over Voltage Protection	Clamped by internal protection circuit
Short Circuit Protection	With auto recovery
Over Current Protection	Protected from ≤120% of rated output
Safety Approvals	UL/cUL60950-1, TUV EN60950-1, A60950, CE
EMC/EMI	EN55022'B', CISPR22'B' & FCC'B'
Dielectric Withstand Voltage	3000VAC 5mA primary to secondary for 1 minute
Safety Class	Class II
Leakage Current	<0.25mA
Operating Temperature	0 to 40°C
Storage Temperature	-20 to 80°C
Relative Humidity	10-90% non condensing
Energy Efficiency	Level V

Email: [sales@powersolve.co.uk](mailto:sales@powersolve.co.uk)

# USB Charger (Wall Mounting)



[www.powersolve.co.uk](http://www.powersolve.co.uk)

## USB Charging Resistor Network

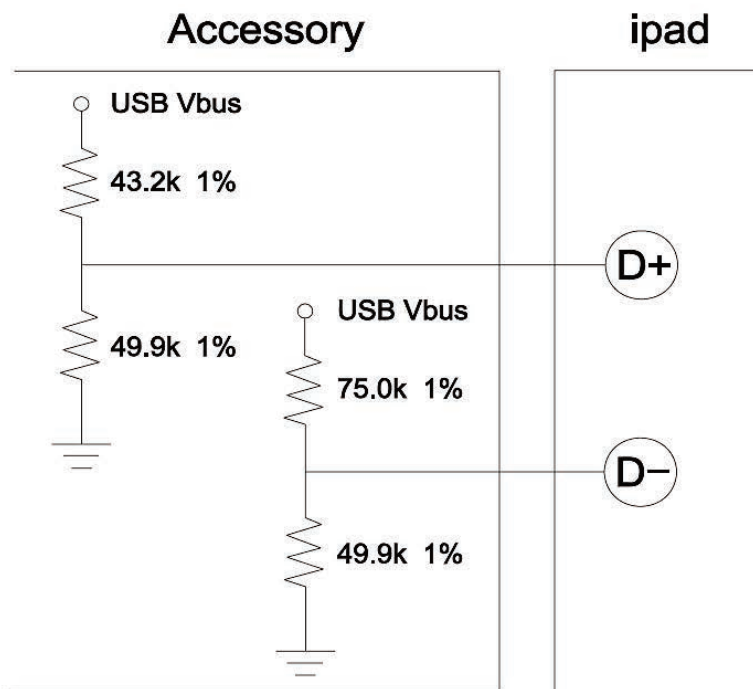


Figure 2-USB Resistor Network for 2.1A chargers

