

USB Charger (Wall Mounting)

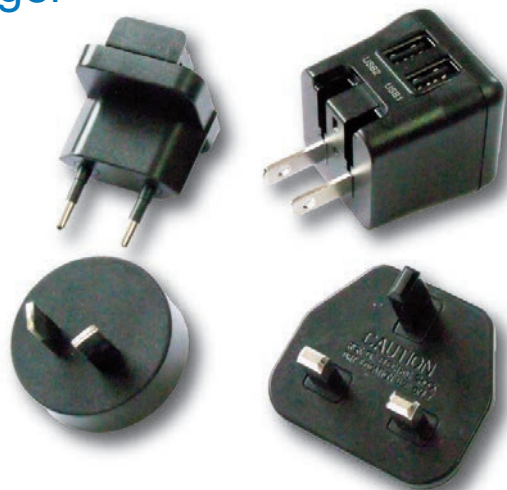
**POWER
SOLVE**

www.powersolve.co.uk

PKS15-USB 15.5 Watts USB Charger Dual 5V 1A & 5V 2A outputs

Features:-

- Universal 90-264VAC input
- Interchangeable AC heads
- Meets Level V efficiency standards
- Output via standard USB socket
- Conforms to RoHS standards
- Full International Safety Approvals
- EMC to EN55022'B', CISPR22 'B' & FCC 'B'



Electrical Specification

Input Voltage & Frequency	90-264VAC, 50/60Hz
Input Current	0.5A max
No Load Input Power	0.3 Watts max
Inrush Current on turn on	60A
Line Regulation	±5%
Load Regulation	±5%
Ripple & Noise	150mV pk-pk
Efficiency	76.7% min 25-100%
Turn On Delay	3000mS
Start Up Rise Time	20 mSec
Hold Up	10 mSec
Output Overshoot	<10 %
Temperature Coefficient	±0.05%/°C
Over Voltage Protection	Clamped by internal protection circuit
Short Circuit Protection	With auto recovery
Over Current Protection	Protected from ≤120% of rated output
Safety Approvals	UL/cUL60950-1, TUV EN60950-1, CE
EMC/EMI	EN55022'B', CISPR22'B' & FCC'B'
Dielectric Withstand Voltage	3000VAC 5mA primary to secondary for 1 minute
Safety Class	Class II
Leakage Current	<0.25mA
Operating Temperature	0 to 40°C
Storage Temperature	-20 to 80°C
Relative Humidity	10-90% non condensing
Energy Efficiency	Level V

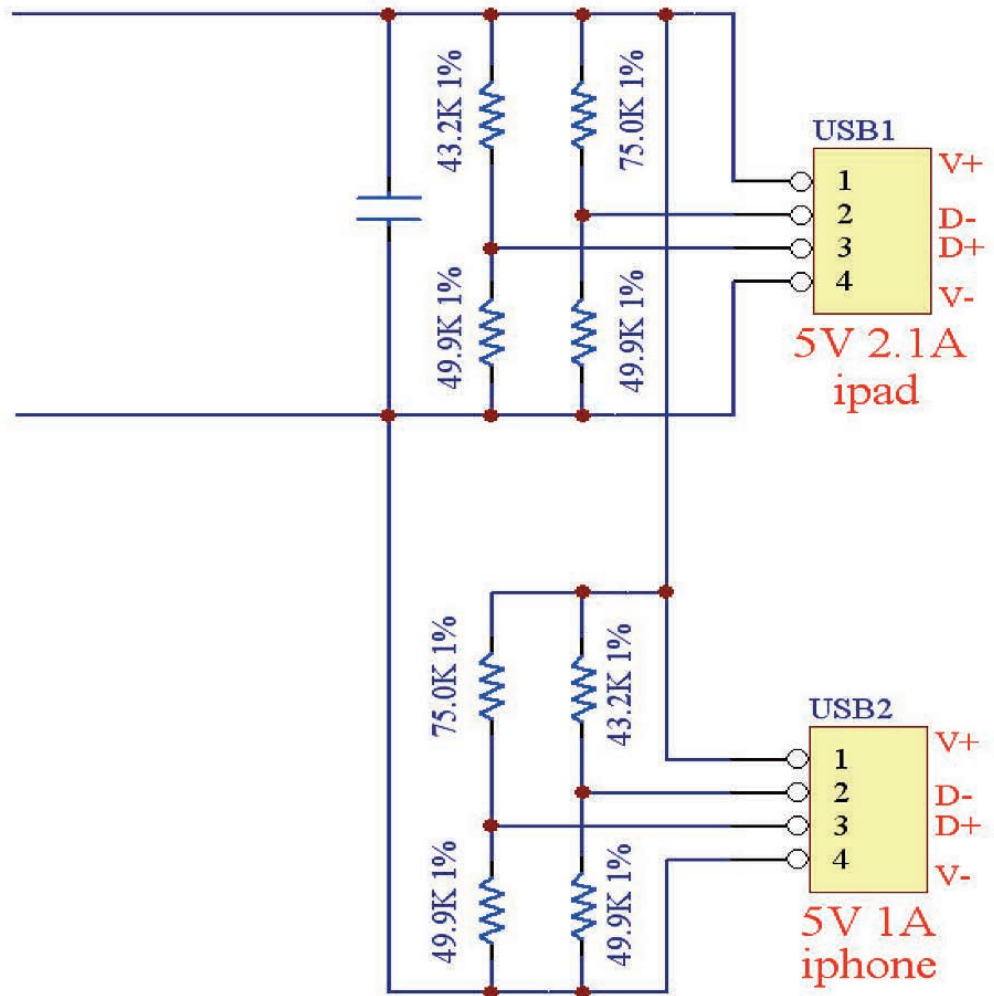
Email: sales@powersolve.co.uk

USB Charger (Wall Mounting)



www.powersolve.co.uk

USB Charging Resistor Network



Email: sales@powersolve.co.uk

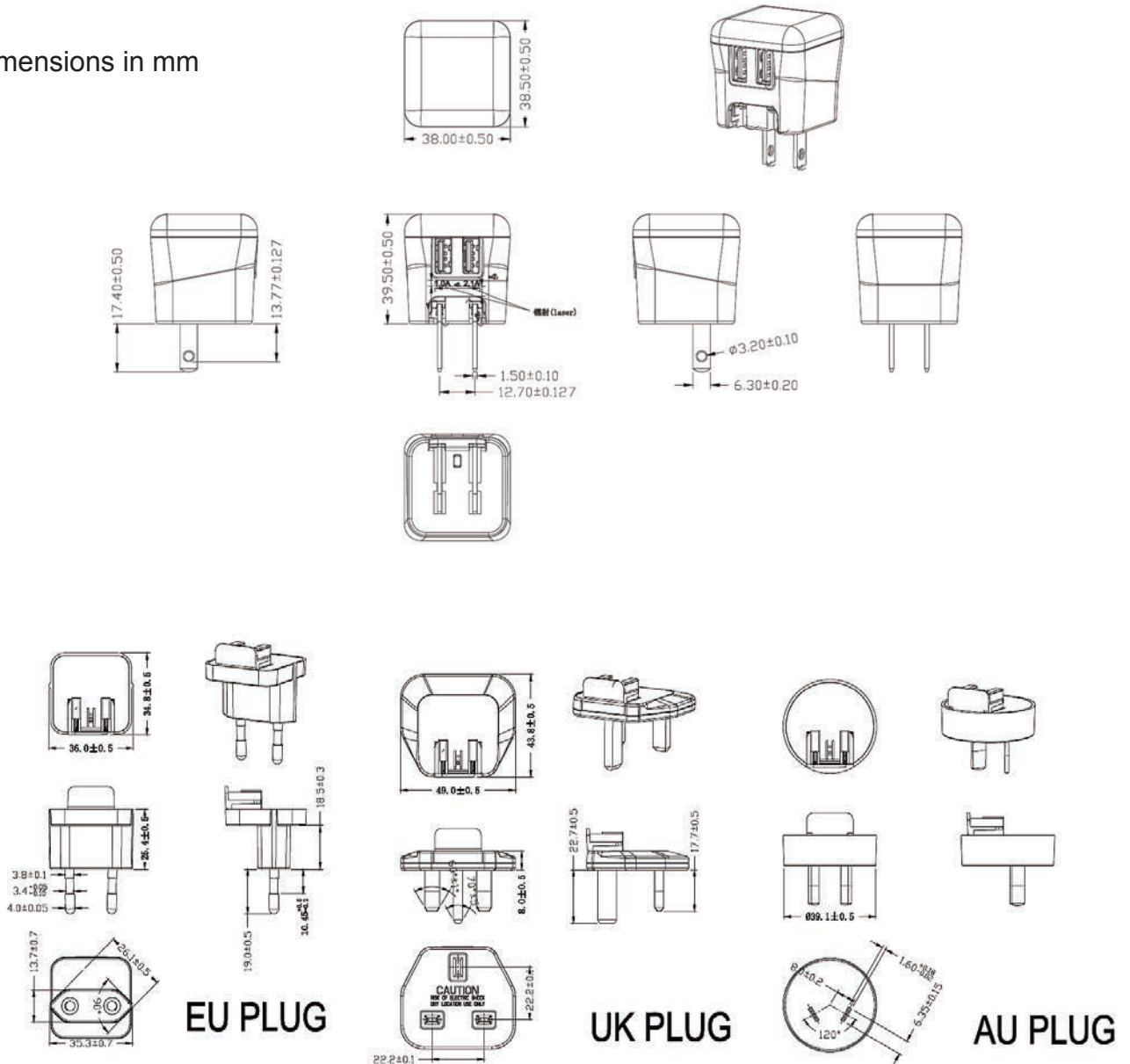
USB Charger (Wall Mounting)



www.powersolve.co.uk

Mechanical Specification

Dimensions in mm



- Note:
1. Case cover & chassis material
PC Black
 2. AC Pin material brass (Ni plated)
 3. PAHS REACH RoHS
 4. Satin Finish