

AC-DC Converters

POWER
SOLVE

www.powersolve.co.uk

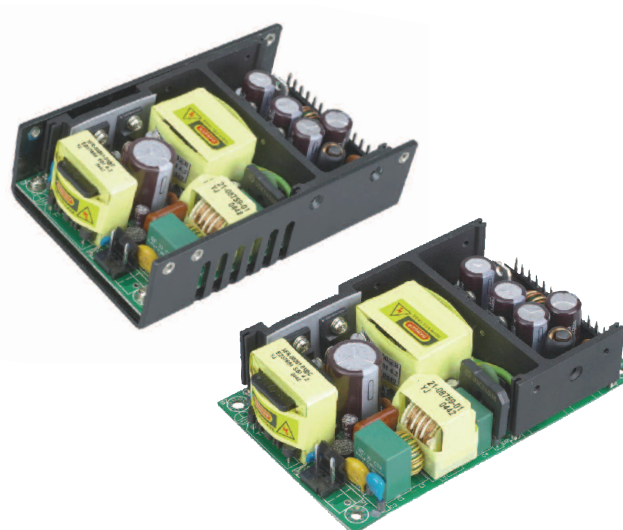
PSO100/PSU100 Series

Single Outputs

Up to 100 Watts

Features

- Power Factor Correction
- Wide Universal Input Voltage of 90-264VAC
- Single DC Output
- Industry Standard 5 x 3" footprint
- Available as Open PCB or in Aluminium U Channel
- Full Safety Approvals
- EMC to FCC Part 15 Class B & CISPR-22 Class B
- Any DC output voltage available from 3-50V DC



Electrical Specification

AC Input	90-264VAC, 47-63Hz
Power Factor Correction	0.95 Minimum
Input Current	2A Max, Low Line, Full Load
Inrush Current	30A Max, Cold Start, 230VAC Input
Efficiency	80% Typical
DC Outputs	See table
Line Regulation	0.5% Typical, 1% Max
Load Regulation	See table
Over Voltage Protection	112-132% V Nominal
Over Current Protection	110-150% Nominal Output Power
Transient Response	4mS, Full Load to 50% Load
Hold Up Time	16mS Min, 110V AC Input, Full Load Output
Start Up Time	1 Sec Typical, 2 Sec Max
Ripple & Noise	1% Typical, 2% Max
Earth Leakage Current	0.45mA Max
Operating Temperature	0 to 70°C, Derate Linearly from 100% Load at 50°C to 50% Load at 70°C
Storage Temperature	-40 to +85°C
Relative Humidity	95% Max Non Condensing
EMC	FCC Part 15 Class B, CISPR-22 Class B
Safety Approvals	UL, cUL60950, TUV/GS(EN60950), CE

Powersolve Electronics Ltd. Units 8A, Arnhem Road, Newbury, RG14 5RU. England

Tel:01635 521858 Fax: 01635 523771 Email: sales@powersolve.co.uk

AC-DC Converters



www.powersolve.co.uk

Output Voltage & Current Ratings

MODEL (OPEN PCB VERSION)	MODEL (U CHANNEL VERSION)	DC OUTPUT	TOTAL REGULATION	MAXIMUM OUTPUT POWER
PSO100-3V3	PSU100-3V3	3.3V 16.36A	5%	54 Watts
PSO100-05	PSU100-05	5V 14A	5%	70 Watts
PSO100-09	PSU100-09	9V 11.1A	5%	100 Watts
PSO100-12	PSU100-12	12V 8.33A	3%	100 Watts
PSO100-15	PSU100-15	15V 6.67A	3%	100 Watts
PSO100-18	PSU100-18	18V 5.56A	3%	100 Watts
PSO100-24	PSU100-24	24V 4.17A	2%	100 Watts
PSO100-30	PSU100-30	30V 3.33A	2%	100 Watts
PSO100-36	PSU100-36	36V 2.78A	2%	100 Watts
PSO100-48	PSU100-48	48V 2.08A	2%	100 Watts

Note: Any output voltage version is available between 3V and 50V DC – consult the sales office for details.

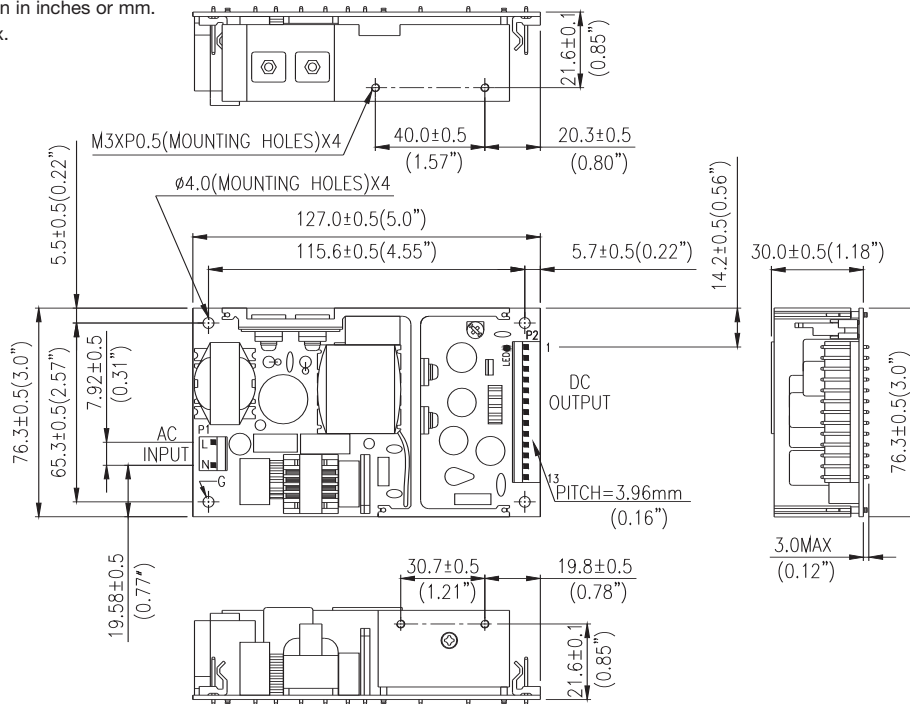
Mating Connectors: Input: Molex Housing 09-50-3031 Crimp Terminals: Molex 2478
 Output: Molex Housing 09-50-3131 Crimp Terminals: Molex 2478

Pin	Pin Connection												
	1	2	3	4	5	6	7	8	9	10	11	12	13
PSO100/PSU100-XX	OUT	OUT	OUT	OUT	OUT	OUT	RTN	RTN	RTN	RTN	RTN	RTN	N/C

Mechanical Specification - PSO100 Series

Note:

1. Dimensions are shown in inches or mm.
2. Weight: 345gs approx.



Mechanical Specification - PSU100 Series

Note:

1. Dimensions are shown in inches or mm.
2. Weight: 475gs approx.

