

# Desk Top Power Supplies



[www.powersolve.co.uk](http://www.powersolve.co.uk)

## EPA150-180 Series 150-180 Watts Single DC Output

### Features

- Meets CEC Level VI Requirements
- Universal AC Input
- Conforms to RoHS
- IEC320 C14, C8, C6 or C18 AC input connectors
- EMC to EN55022'B', CISPR22 'B' & FCC 'B'
- Desk Top Plastic Enclosure
- Optional DC Output Connectors
- LED power on indicator



### Electrical Specification

#### INPUT

Input Voltage	90-264VAC
Input Frequency	47-63Hz
Input Current	≤2.5A
Efficiency	meet CEC level V & VI
Hold Up Time	≤8.3mS
Turn On Time	≤3S

#### Output

Voltage & Current	See table
Line Regulation	±1%
Load Regulation	±5%
Over Voltage Protection	Latch off
Short Circuit Protection	Auto Recovery
Over Current Protection	Auto Protection
Over Temperature Protection	Latch Off

#### ENVIRONMENTAL

Operating Temperature	0 to 40°C, ambient
Storage Temperature	-20°C to +85°C
Relative Humidity	5-95% max

#### SAFETY

Withstand Voltage	Primary to Secondary 4242V DC, Primary to Ground 2121V DC
Insulation Resistance	100Mohm minimum between primary & secondary
Safety Approvals	UL/cUL60950, TUV/GS(EN60950), CB, CCC
EMI/EMC	CISPR22 'B', FCC Part 15 'B', EN55022 'B'

<b>MECHANICAL</b>	See drawing
-------------------	-------------

# Desk Top Power Supplies



[www.powersolve.co.uk](http://www.powersolve.co.uk)

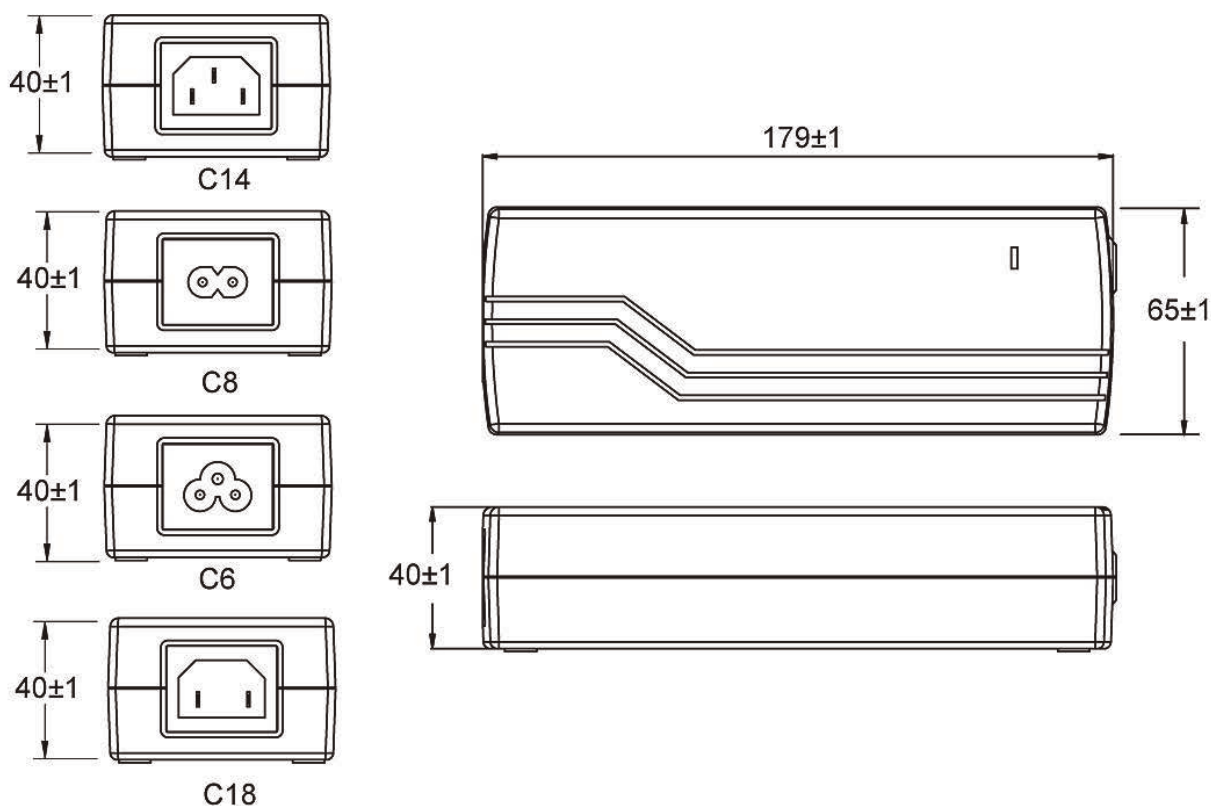
## Output Voltage & Current Ratings

MODEL	OUTPUT VOLTAGE	RIPPLE & NOISE (MAX)	OUTPUT CURRENT	MAX OUTPUT POWER
EPA150-12(--)(XX)	12V DC	±1%	12.5A	150 Watts
EPA150-15(--)(XX)	15V DC	±1%	10A	150 Watts
EPA150-19(--)(XX)	19V DC	±1%	7.89A	150 Watts
EPA150-24(--)(XX)	24V DC	±1%	6.25A	150 Watts
EPA150-48(--)(XX)	48V DC	±1%	3.12A	150 Watts
EPA160-12(--)(XX)	12V DC	±1%	13.33A	160 Watts
EPA160-15(--)(XX)	15V DC	±1%	10.66A	160 Watts
EPA180-24(--)(XX)	24V DC	±1%	7.5A	180 Watts
EPA180-48(--)(XX)	48V DC	±1%	3.75A	180 Watts

NOTE: (--) in part number denotes AC input connector type. So for a 3 pin IEC320 C14 input it would be C14. (XX) denotes output connector part number. For example 2.5 x 5.5 x 11 mm barrel connector is -02, for other connector options we would designate an appropriate 2 digit number. Consult sales office for details. Example EPA150-24C14-02 is 3 pin IEC320 C14 input and 2.5 x 5.5 x 11 mm barrel connector output.

**Many other output voltages available consult sales office**

## Mechanical Details



- Case Size: 179Lx65Wx40H (mm)
- AC Inlet: C14, C8, C6, C18
- Weight: 705g