

Plug Top Power Adaptors

**POWER
SOLVE**

KPS40 Series

www.powersolve.co.uk

36 Watts

Single DC Output

Features

- Meets CEC Level VI
- Universal AC Input
- Conforms to RoHS
- Interchangeable AC Plugs for China, USA, EU, UK Japan, Australia & Korea
- EMC to EN55032, & FCC part 15 'B'
- CE marked Full Safety Approvals



Electrical Specification

INPUT	
Input Voltage	90-264VAC
Input Frequency	47-63Hz
Input Current	1A max, full load 115VAC input
No Load Input Power	0.1W max
OUTPUT	
Output Voltage & Current	See table
Output Power	Up to 36 Watts see table for models
Output Ripple & Noise	100 to 200mV pk-pk max (depending on output voltage)
Transient Response Time	4mS max full load to half load 100VAC input
Line Regulation	1% max
Load Regulation	±5% max
Output Protection	Overcurrent & short circuit
ENVIRONMENTAL	
Operating Temperature	0 to 40°C, ambient
Storage Temperature	-20°C to +70°C
Relative Humidity	10-95% max
GENERAL	
Efficiency	>85% average
MTBF	>50,000 hours @ 25°C calculated to Bellcore SR-332 method
SAFETY	
Withstand Voltage	Primary to Secondary 3000VAC, 10mA 1 minute
Isolation Resistance	10Mohm (Min) at 500VDC
Safety Approvals	CE EN60950 & UL EN60601-1, CSA22.2 No.60950-1, AS/NZS60950-1
EMI/EMC	CISPR22 'B', FCC Part 15 'B', EN55022 'B'
MECHANICAL	
	See drawing

Output Voltage & Current Ratings

MODEL	OUTPUT VOLTAGE	OUTPUT CURRENT	MAX OUTPUT POWER
KPS40-09-XX	9V DC	3.30A	30 Watts
KPS40-12-XX	12V DC	3.00A	36 Watts
KPS40-15-XX	15V DC	2.40A	36 Watts
KPS40-18-XX	18V DC	2.00A	36 Watts
KPS40-24-XX	24V DC	1.50A	36 Watts

Note: (XX) in part number denotes output connector type. Standard stock items have right angle 2.5 x 5.5 x 11mm centre positive barrel connector. Therefore example would be KPS40-12-02. Other connectors are available which would be a different 2 digit number. Other output voltages available in the range of 9V to 24V consult sales office for details.

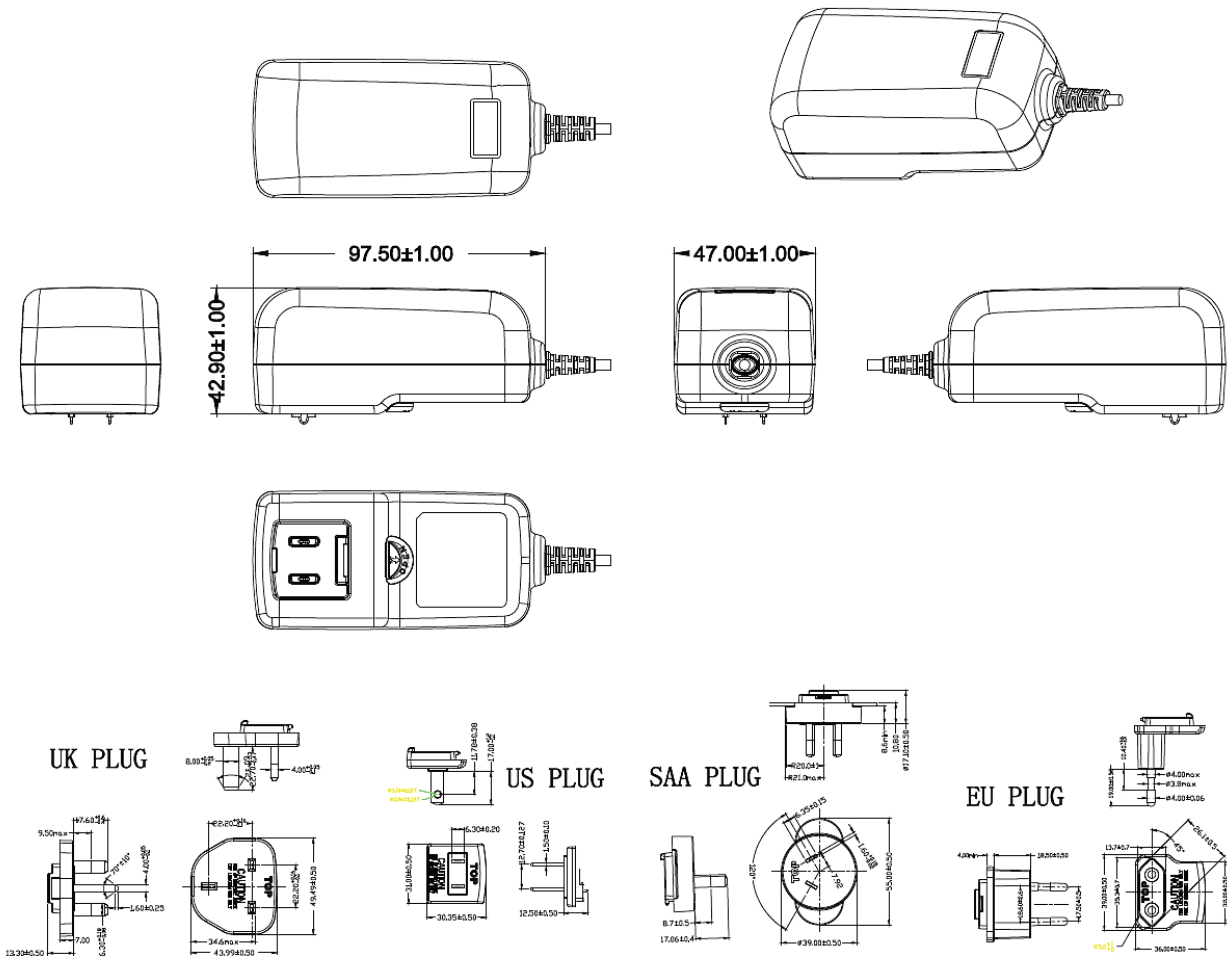
AC Connectors: Unless specified standard stock items will be shipped with UK, EU, US & Australian connectors, other connectors are available, consult sales office for details.

Plug Top Power Adaptors



www.powersolve.co.uk

Mechanical Details



- NOTE: 1. Case cover & chassis material:
PC/SE-1 BLACK
2. AC PIN MATERIAL: BRASS (NI PLATED)
3. PAHS+REACH+RoHS
4. Stain Finish

All dimensions in mm