

# Plug Top Power Adaptors

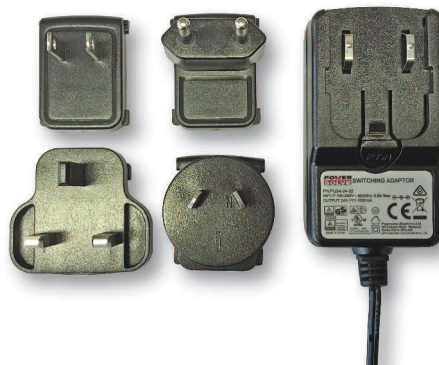
**POWER  
SOLVE**

## PIJ24 Series Up to 24 Watts Single DC Output

[www.powersolve.co.uk](http://www.powersolve.co.uk)

### Features

- Meets Level VI Energy Requirements
- Universal AC Input
- Conforms to RoHS
- Interchangeable AC Plugs for USA, EU, UK & Australia (for others consult sales office)
- EMC to EN55022'B', CISPR22 'B' & FCC 'B'
- CE marked and Full Safety Approvals



### Electrical Specification

INPUT	
Input Voltage & Frequency	90-264VAC, 47-63Hz
Input Current	0.6A max
Safety Ground Leakage Current	0.25mA max
No Load Input Power	0.1W max
OUTPUT	
Output Voltage & Current	See table
Output Power	Up to 24 Watts see table for models
Output Ripple & Noise	100mV 5V output, 1% others
Transient Response Time	4mS max full load to half load 100VAC input
Line Regulation	1% max
Load Regulation	±5% max
Output Protection	Overcurrent & short circuit
ENVIRONMENTAL	
Operating Temperature	0 to 40°C, ambient
Storage Temperature	-40°C to +85°C
Relative Humidity	5-90% max
GENERAL	
Efficiency	depending on output voltage, ≥81.39-86.2% 25-100% load
MTBF	>50,000 hours @ 25°C calculated to MIL-HDBK-217F
SAFETY	
Withstand Voltage	Primary to Secondary 3000VAC 5mA/5 sec, Primary to Ground 500V DC
Isolation Resistance	10Mohm Min @ 500VDC
Safety Approvals	TUV EN60950, cUL, UL, PSE, C tick
EMI/EMC	EN55032-55020-55024 'B'
MECHANICAL	
	UL94V-1 plastic enclosure, dimensions see drawings

### Output Voltage & Current Ratings

MODEL	OUTPUT VOLTAGE	OUTPUT CURRENT	MAX OUTPUT POWER
<a href="#">PIJ24-05-XX</a>	5V DC	3.00A	15 Watts
<a href="#">PIJ24-09-XX</a>	9V DC	2.20A	19.80 Watts
<a href="#">PIJ24-12-XX</a>	12V DC	2.00A	24 Watts
<a href="#">PIJ24-15-XX</a>	15V DC	1.60A	24 Watts
<a href="#">PIJ24-18-XX</a>	18V DC	1.33A	24 Watts
<a href="#">PIJ24-24-XX</a>	24V DC	1.00A	24 Watts

NOTE: (XX) in part number denotes output connector type. Standard stock items have 2.1 x 5.5 x 11mm centre positive barrel connector. Therefore part number would be ESA24-05-01. Other connectors are available which would be a different 2 digit number. Other output voltages available in the range of 5.0V to 24V consult sales office for details.

**AC Connectors: Unless specified standard stock items will be shipped with UK, EU, US & Australian connectors, other connectors are available, consult sales office for details.**

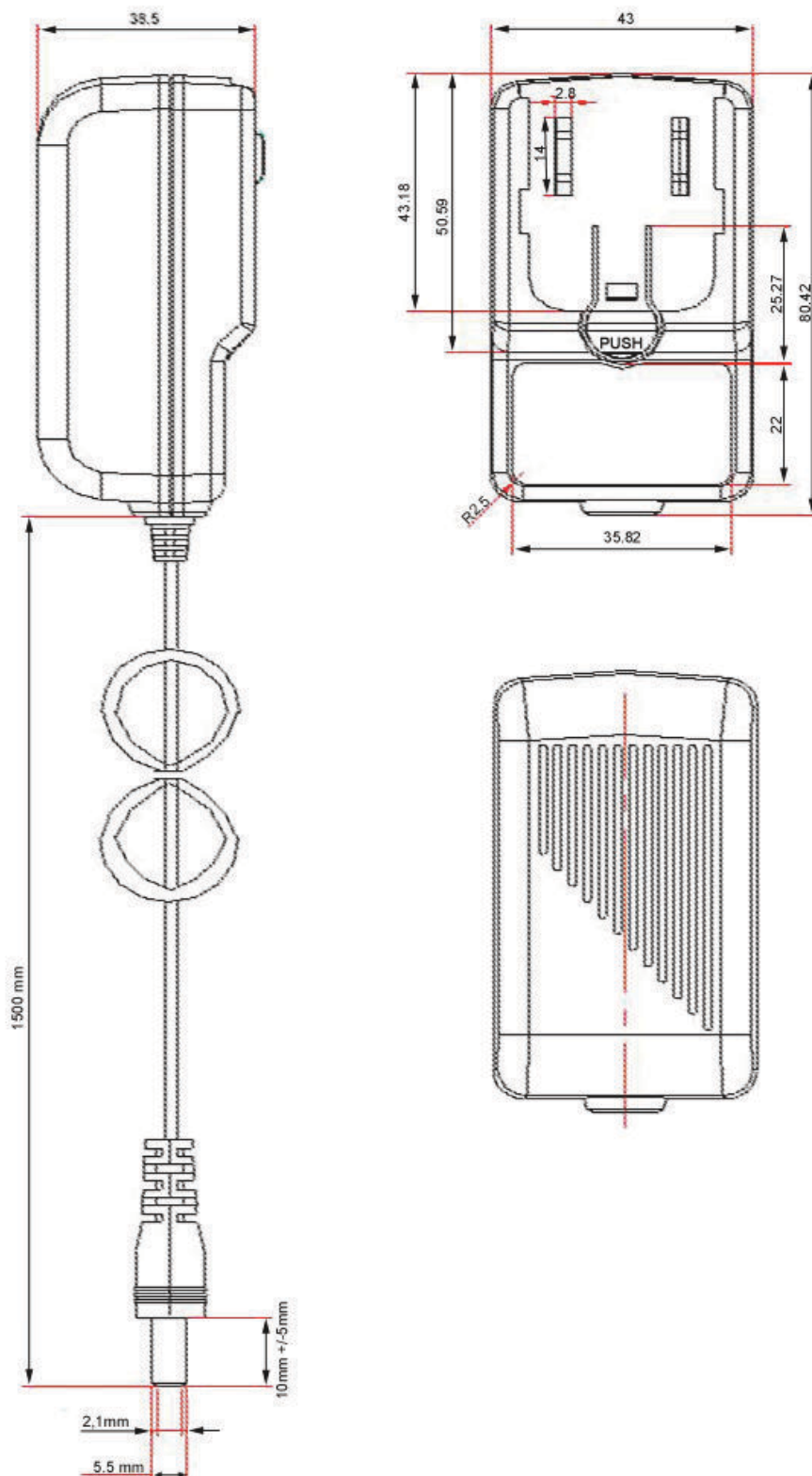
# Plug Top Power Adaptors



[www.powersolve.co.uk](http://www.powersolve.co.uk)

## Mechanical Details

All dimensions in mm



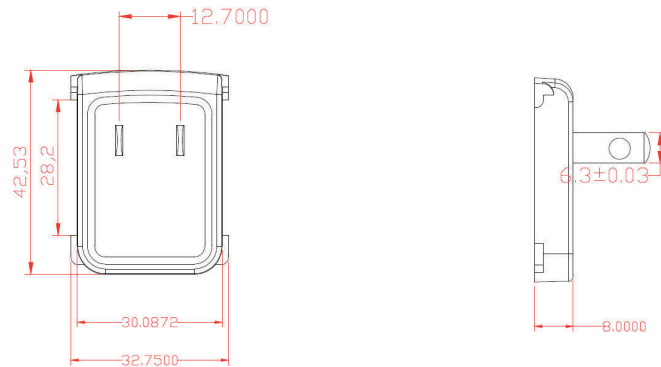
# Plug Top Power Adaptors

**POWER  
SOLVE**

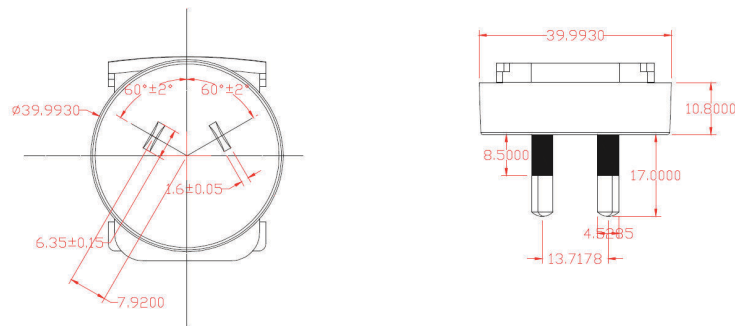
[www.powersolve.co.uk](http://www.powersolve.co.uk)

## Mechanical Details

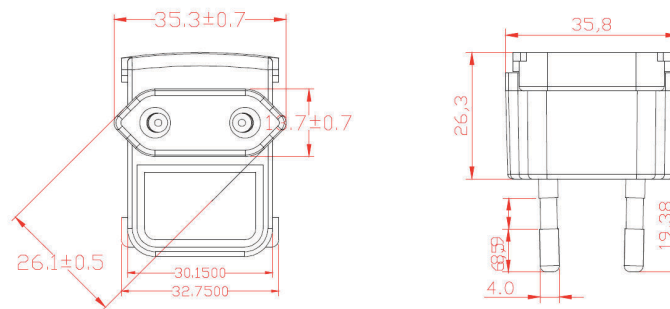
XR-312UL



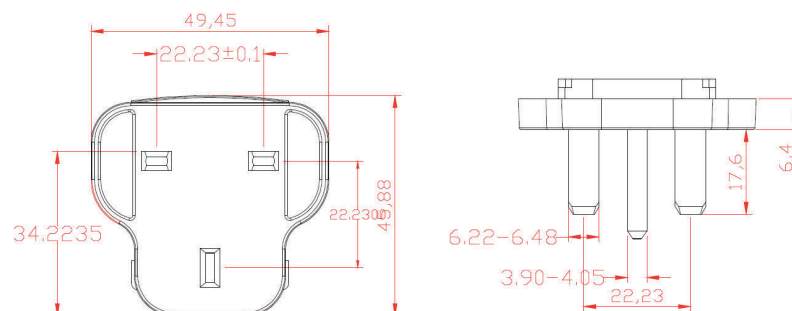
XR-312SAA



XR-312CE



XR-312BS



21.02.18