

PA65 Series AC-DC Power Adaptors



www.powersolve.co.uk

60W & 65W Output Power

The PA65 Series 60 Watts and 65 Watts external power adaptors are available as a wall mount power supply with fixed AC head or interchangeable AC heads, or as a desk top version with either IEC320 C14 3 pin input, IEC320 C8 2 pin input or IEC320 C6 3 pin input socket. These compact plastic enclosed power supplies offer 60W output power with voltages from 8V to 15V & 65W from output voltages from 15.1V to 48V. Full safety approvals including the new EN62368-1 standard.



PA65Pz Series
Fixed AC Head Type
available in various
plug versions



PA65PD Series
Interchangeable
Head version



PA65C4 Series
IEC320 C14 Class I
input version



PA65C8 Series
IEC320 C8 Class II
input version



PA65C6 Series
IEC320 C6 Class I
input version

PA65 Series AC-DC Power Adaptors



www.powersolve.co.uk

Electrical Specification

Input Characteristics

Input Voltage Range:	90-264VAC
Input Frequency Range:	47Hz to 63Hz
Maximum AC Input Current:	1.5A max at full load and low input volts
Inrush Current (cold start):	80A max at 264VAC input
Average Efficiency (25-100% load):	≥88.0% at 115V or 230VAC input
No Load Power Consumption:	Less than 0.21W

Output Characteristics

DC Output:	versions between 8.5V & 49VDC, see table
Output Current:	up to 5A, see table
Output Power:	60W 8-15V DC, 65W 15.1 to 48V DC
Total Output Regulation:	less than ±5%
Ripple & Noise:	1.5% max
Turn On Delay Time:	3 seconds max over input range & full load
Hold Up Time:	10mS/20mS worst at full load 115/230VAC input
Output Overshoot/Undershoot:	10% max when supply turned on or off
Output Load Transient Response:	output voltage within ±5% for 25% load change
Over Voltage Protection:	output voltage clamped by internal protection IC
Overcurrent Protection:	hiccup mode when over current, auto recovery
Output Short Circuit Protection:	self recovery when short circuit removed

Environmental

Operating Temperature:	0 to 40°C
Storage Temperature:	-20°C to +80°C
Operating Humidity:	10% to 90% relative humidity

Safety & EMI/EMC Standards

EMI/EMC	FCC Part 15B, CE EN55032 B, C-Tick AS/NZ CISPR22
Safety	UL, cUL62368-1, CE/GS EN62368-1, RCM/SAA/62368-1 Plug top models all Class I, Desk Top Class I or II

PA65 Series AC-DC Power Adaptors



www.powersolve.co.uk

Output Voltage & Current Ratings			
Plug Top (Fixed Head)	Output Voltage	Output Current	Max Output Power
PA65P(z)-0905000-xx	9V	5.0A	45W
PA65P(z)-1205000-xx	12V	5.0A	60W
PA65P(z)-1504000-xx	15V	4.0A	60W
PA65P(z)-1803610-xx	18V	3.61A	65W
PA65P(z)-2402700-xx	24V	2.70A	65W
PA65P(z)-4801350-xx	48V	1.35A	65W
Plug Top (Interchangeable)	Output Voltage	Output Current	Max Output Power
PA65PD-0905000-xx	9V	5.0A	45W
PA65PD-1205000-xx	12V	5.0A	60W
PA65PD-1504000-xx	15V	4.0A	60W
PA65PD-1803610-xx	18V	3.61A	65W
PA65PD-2402700-xx	24V	2.70A	65W
PA65PD-4801350-xx	48V	1.35A	65W
Desk Top IEC320 C8 2 pin	Output Voltage	Output Current	Max Output Power
PA65C8-0905000-xx	9V	5.0A	45W
PA65C8-1205000-xx	12V	5.0A	60W
PA65C8-1505000-xx	15V	4.0A	60W
PA65C8-1803610-xx	18V	3.61A	65W
PA65C8-2402700-xx	24V	2.70A	65W
PA65C8-4801350-xx	48V	1.35A	65W
Desk Top IEC320 C14 3 pin	Output Voltage	Output Current	Max Output Power
PA65C4-0905000-xx	9V	5.0A	45W
PA65C4-1205000-xx	12V	5.0A	60W
PA65C4-1504000-xx	15V	4.0A	60W
PA65C4-1803610-xx	18V	3.61A	65W
PA65C4-2402700-xx	24V	2.70A	65W
PA65C4-4801350-xx	48V	1.35A	65W
Desk Top IEC320 C6 3 pin	Output Voltage	Output Current	Max Output Power
PA65C6-0905000-xx	9V	5.0A	45W
PA65C6-1205000-xx	12V	5.0A	60W
PA65C6-1504000-xx	15V	4.0A	60W
PA65C6-1803610-xx	18V	3.61A	65W
PA65C6-2402700-xx	24V	2.70A	65W
PA65C6-4801350-xx	48V	1.35A	65W

Notes:

Fixed Head PA65P(z) Series where (z) is AC input plug. UK = **B**, USA = **U**, EU = **E**, AU = **S**, China = **C** & Japan = **J**

Example: UK plug 12V version with 2.5 x 5.5 x 10.5mm output connector would be **PA65B-1205000-02**

Interchangeable AC head versions come with a kit of 4 heads as standard UK, EU, USA & AU.

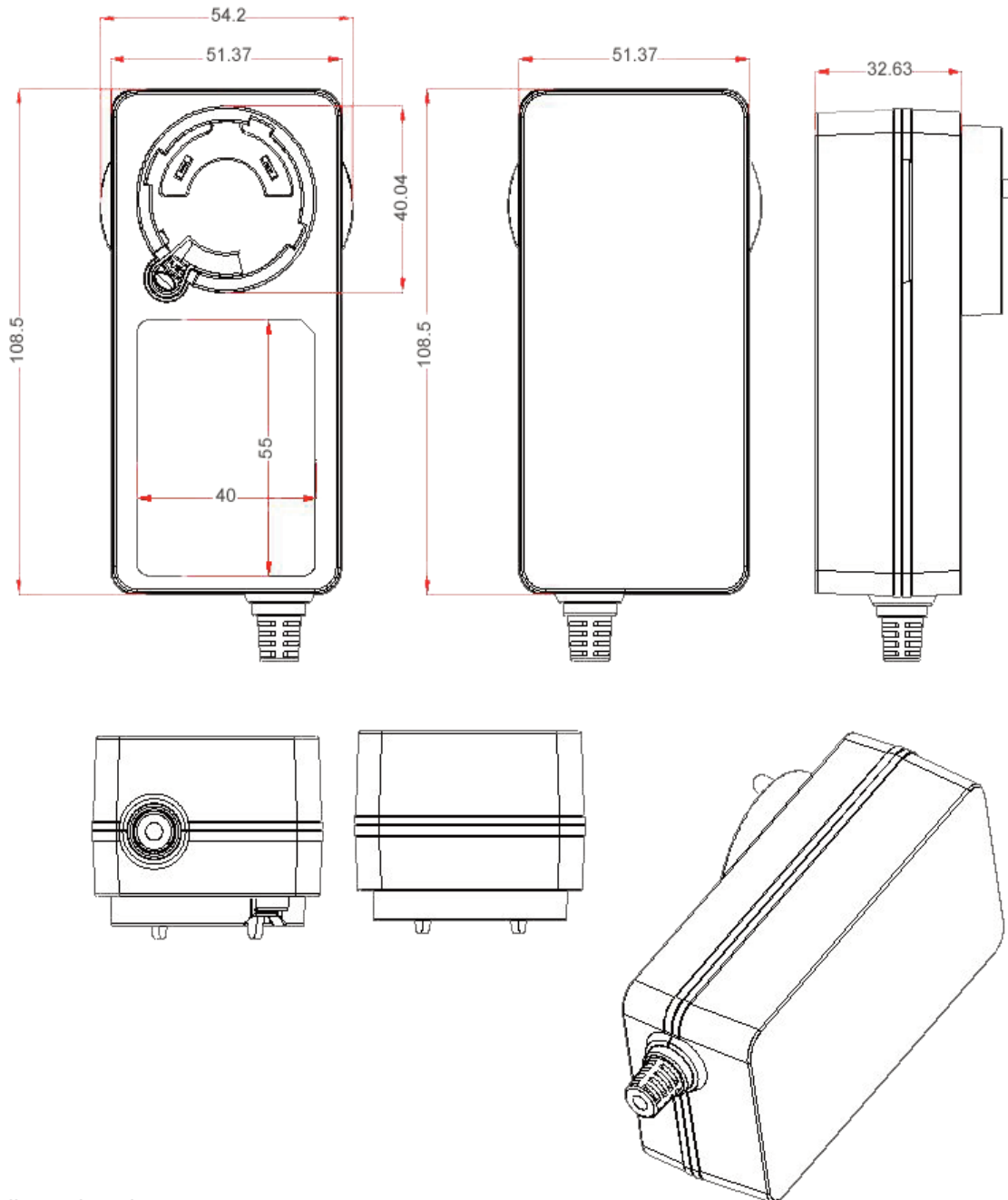
Others versions available on request - contact sales office

PA65 Series External Power Adaptors



www.powersolve.co.uk

Dimensions: PA65Pz & PA65PD Plug Top Series



All dimensions in mm

Note: Output cable is 1.5 metre terminated in 2.5 x 5.5 x 10.5mm barrel connector other output connectors optional. For example PA65PD-12-(02) is 2.5 x 5.5 x 10.5mm connector, for 2.1 x 5.5 x 10.5mm connector (02) would be replaced by another number (01)

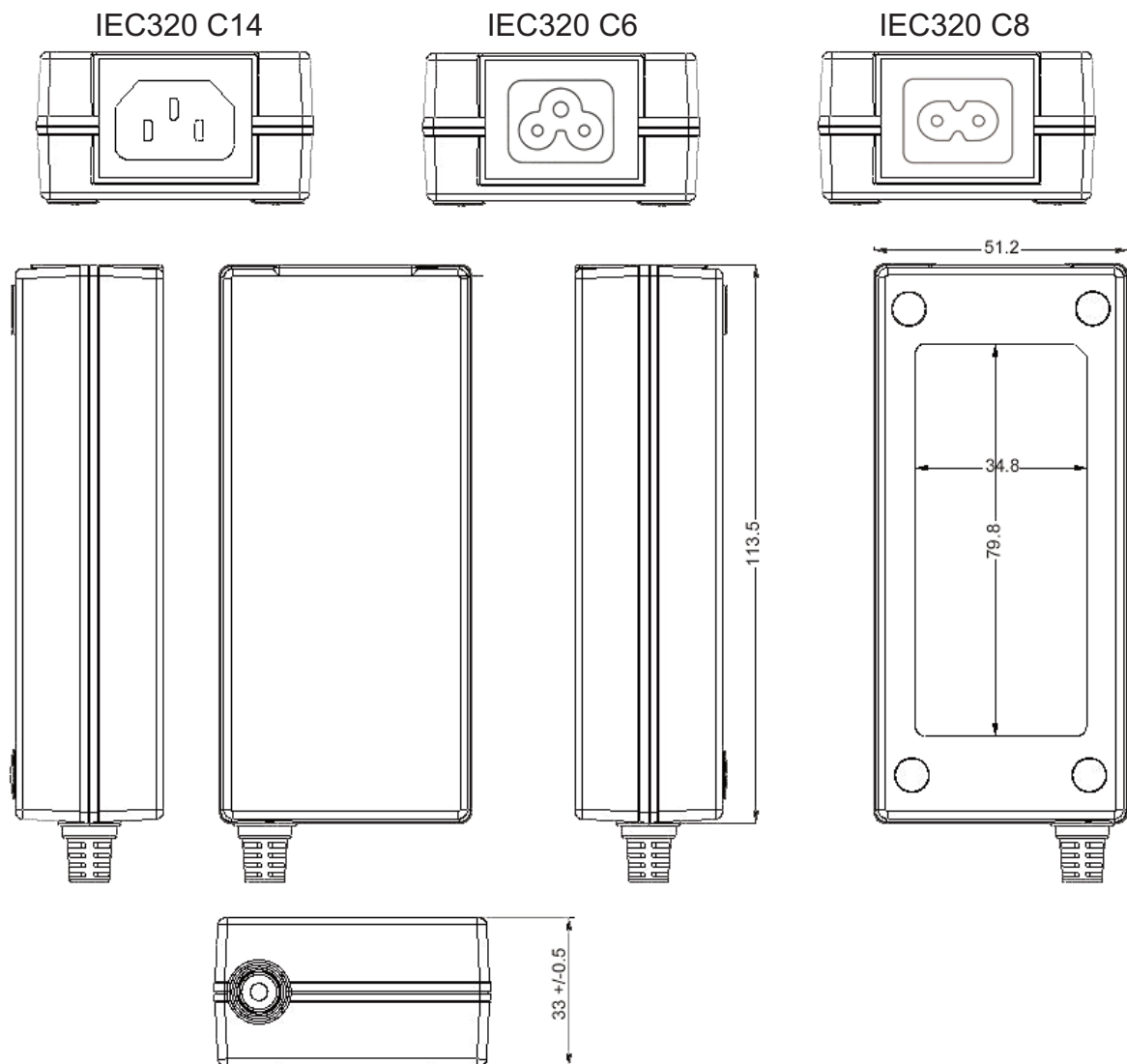
PA65 Series External Power Adaptors

**POWER
SOLVE**

www.powersolve.co.uk

Dimensions: PA65C(X) Desk Top Series

Note: PA65C8 is 2 pin IEC320 C8 Class II AC input version
PA65C4 is 3 pin IEC320 C14 Class I input version
PA65C6 is 3 pin IEC320 C6 Class I input version



All dimensions in mm

Note: Output cable is 1.5 metre terminated in 2.5 x 5.5 x 10.5mm barrel connector
other output connectors optional. For example PA65C4-12-(02) is 2.5 x 5.5 x 10.5mm connector,
for 2.1 x 5.5 x 10.5mm connector (02) would be replaced by another number (01)