

# Plug Top Power Adaptors



MKB & MKE Series  
 12.5 Watts to 30 Watts  
 Single Output  
 Medical Safety Approvals

## Features

- Meets CEC Level VI
- Universal AC Input
- Conforms to RoHS
- Interchangeable AC Plugs for USA, EU, UK and Australia
- EMC to EN55032, & FCC part 15 'B'
- UKCA & CE with full medical safety approvals



## Electrical Specification

INPUT	
Input Voltage	90-264VAC
Input Frequency	47-63Hz
Input Current	0.4A to 0.8A max, full load 90VAC input depending on output model
No Load Input Power	0.1W max
OUTPUT	
Output Voltage & Current	See table
Output Power	Up to 36 Watts see table for models
Output Ripple & Noise	100 to 200mV pk-pk max (depending on output voltage)
Transient Response Time	4mS max full load to half load 100VAC input
Line Regulation	1% max
Load Regulation	±5% max
Output Protection	Overcurrent & short circuit
ENVIRONMENTAL	
Operating Temperature	-10°C to 40°C, ambient
Storage Temperature	-20°C to +60°C
Relative Humidity	10-90% max
GENERAL	
Efficiency	>80 to 87% depending on model
MTBF	>50,000 hours @ 25°C calculated to Bellcore SR-332 method
SAFETY	
Withstand Voltage	Primary to Secondary 3000VAC, 10mA 1 minute
Isolation Resistance	10Mohm (Min) at 500VDC
Safety Approvals	cUL/UL60601-1, EN60601-1, BS EN60601-1, AS/NZS62368-1
EMI/EMC	FCC PART 15B, BS/EN60601-1-2:2015+A1-2021 BS/IEC60601-1-2:2014+A1:2020 AS/NZS CISPR22
MECHANICAL	
	See drawing

## Output Voltage & Current Ratings

MODEL	OUTPUT VOLTAGE	OUTPUT CURRENT	MAX OUTPUT POWER
MKB2-0502500DEXD	5V DC	2.5A	12.5 Watts
MKE2-0902660DEXD	9V DC	2.66A	23.94 Watts
MKE2-1202500DEXD	12V DC	2.50A	30 Watts

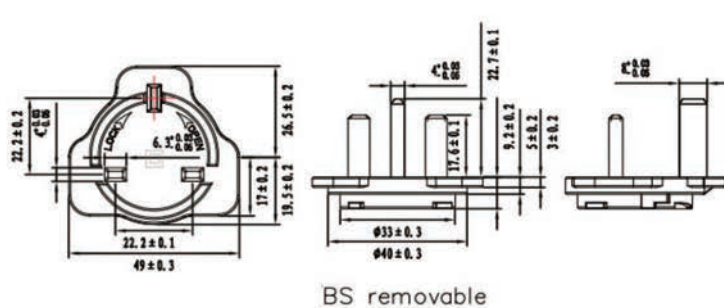
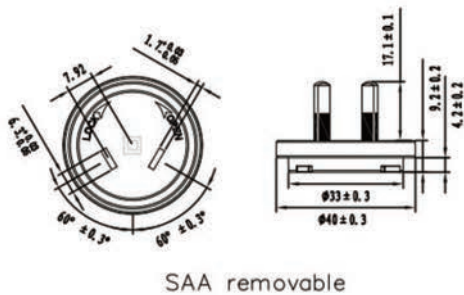
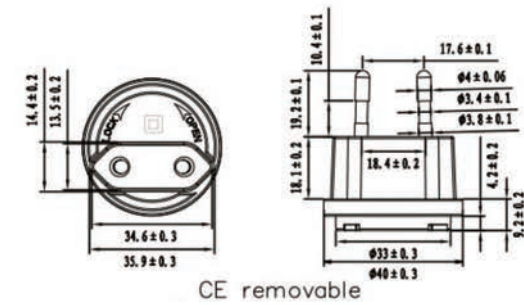
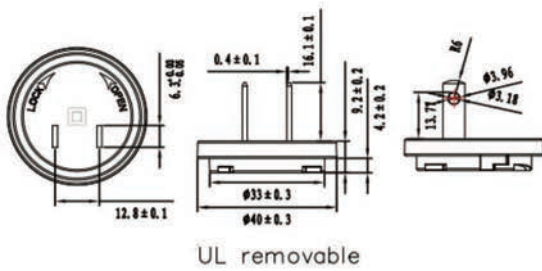
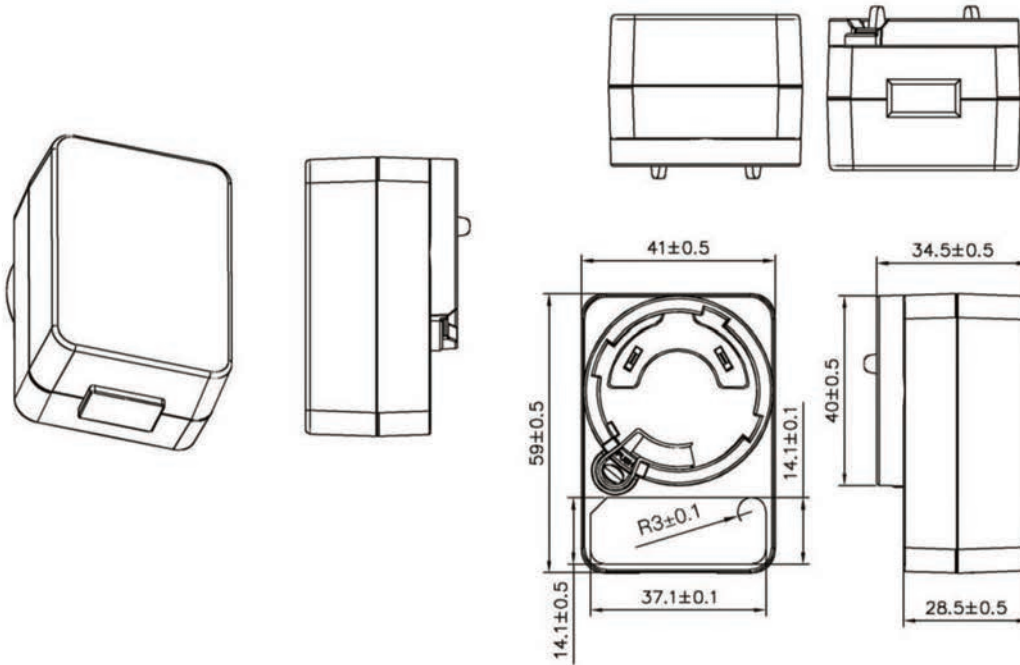
**Note:** Standard stock items have a 2.1 x 5.5 x 10 centre positive barrel connector. Other connectors are available consult sales office for details. Other output voltages also available items listed usually ex-stock.

**AC Connectors:** Unless specified standard stock items will be shipped with UK, EU, US & Australian connectors.

# Plug Top Power Adaptors



## Mechanical Details



All dimensions in mm

# Plug Top Power Adaptors

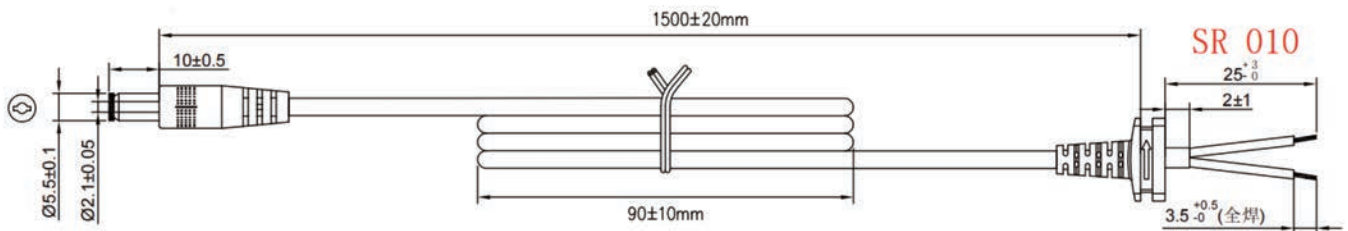


## DC CORD

Unit:mm

Tolerance

Color:Black



NOTE:

1. Wire:UL 2464 20AWG VW-1 80°C 300V
2. Color:Black;
3. Polarity: Black line —●— Red line;
4. Tensile test :Hang weight 20LBS,SR displacement less than 2mm in 60s;
5. Swing test: Hang weight 200g, 45 times/min, swing at ±60 degrees 1000 times at least;
6. Wire Hardness: DUROMETER TYPE A 55±10;

