

- Very compact metal cased power supplies
- High operating temperature up to 70°C
- Low no load power consumption <0.5W
- Screw terminal block
- No internal fan
- Universal AC input, full range
- Withstand 300 VAC surge input for 5 s
- Adjustable output voltage
- 3-year product warranty



The TXM 075 series of 75 Watt is a family of enclosed AC/DC power supplies designed for cost critical applications. With a low profile metal case and screw terminal block connections, they are easy to install in any equipment. There are five models of single output voltages from 5 VDC to 48 VDC. These power supplies have universal input and comply with European EMC standards and the Low Voltage Directive (LVD).

Models				
Order Code	Output Power max.	Output Voltage nom. (adjustable)	Output Current max.	Efficiency typ.
TXM 075-105	60 W	5 VDC (4.75 - 5.5 VDC)	12'000 mA	80 %
TXM 075-112	72 W	12 VDC (11.4 - 13.2 VDC)	6'000 mA	85 %
TXM 075-115	75 W	15 VDC (14.25 - 16.5 VDC)	5'000 mA	86 %
TXM 075-124	77 W	24 VDC (22.8 - 26.4 VDC)	3'200 mA	88 %
TXM 075-148		48 VDC (45.6 - 52.8 VDC)	1'600 mA	89 %

Input Specifications

Input Voltage	- AC Range	Operational Range: 85 - 264 VAC (Full Range) Rated Range: 100 - 240 VAC (Full Range)
	- DC Range	Operational Range: 120 - 375 VDC (Designed for, no certification) Polarity: irrelevant (Surge voltage (5 s max.): 300 VAC max.)
Input Frequency		Operational Range: 47 - 63 Hz Certified: 50/60 Hz
Power Consumption	- No load & Vin = 230 VAC	630 mW max.
	- No load & Vin = 115 VAC	700 mW max.
Input Current	- Full load & Vin = 115 VAC	2'500 mA max.
Input Inrush Current	- At 230 VAC	60 A max.
Recommended Input Fuse		(The need of an external fuse has to be assessed in the final application.)

Output Specifications

Output Voltage Adjustment		-5% to +10% (By trim potentiometer) Output power must not exceed rated power!
Voltage Set Accuracy		±1% max.
Regulation	- Input Variation (Vmin - Vmax)	0.5% max.
	- Load Variation (0 - 100%)	1% max.
Ripple and Noise (20 MHz Bandwidth)	5 VDC model:	50 mVp-p max. (w/ 0.1 µF 0.47 µF)
	12 VDC model:	80 mVp-p max. (w/ 0.1 µF 0.47 µF)
	15 VDC model:	80 mVp-p max. (w/ 0.1 µF 0.47 µF)
	24 VDC model:	80 mVp-p max. (w/ 0.1 µF 0.47 µF)
	48 VDC model:	120 mVp-p max. (w/ 0.1 µF 0.47 µF)
Minimum Load		Not required
Temperature Coefficient		±0.03 %/K max.
Hold-up Time	- At 230 VAC	20 ms min.
	- At 115 VAC	10 ms min.
Start-up Time	- At 230 VAC	1'000 ms max.
Start-up Overshoot Voltage		5% max.
Short Circuit Protection		Continuous, Automatic recovery
Output Current Limitation		105 - 150% of Iout max.
Oversvoltage Protection		110 - 150% of Vout nom.
Transient Response	- Response Deviation	13% max. (75% to 100% Load Step)
	- Response Time	400 µs typ. (75% to 100% Load Step)

Safety Specifications

Standards	- IT / Multimedia Equipment	EN 60950-1 EN 62368-1 IEC 60950-1 IEC 62368-1 UL 60950-1 UL 62368-1
	- Certification Documents	www.tracopower.com/overview/txm075
Protection Class		Class I (Prepared): Connection to PE
Pollution Degree		PD 2
Over Voltage Category		OVC II

EMC Specifications

EMI (Emissions)	- Conducted Emissions	EN 55032 class B (internal filter)
	- Radiated Emissions	EN 55032 class B (internal filter)
	- Harmonic Current Emissions	EN 61000-3-2, class A
	- Voltage Fluctuations & Flicker	EN 61000-3-3

All specifications valid at 230 VAC, resistive full load and +25°C after warm-up time, unless otherwise stated.

EMS (Immunity)		EN 55024 (IT Equipment) EN 55035 (Multimedia)
	- Electrostatic Discharge	Air: EN 61000-4-2, ± 8 kV, perf. criteria B Contact: EN 61000-4-2, ± 4 kV, perf. criteria B
	- RF Electromagnetic Field	EN 61000-4-3, 3 V/m, perf. criteria A
	- EFT (Burst) / Surge	EN 61000-4-4, ± 1 kV, perf. criteria B
	- Conducted RF Disturbances	L to L: EN 61000-4-5, ± 1 kV, perf. criteria B
	- PF Magnetic Field	L to PE: EN 61000-4-5, ± 2 kV, perf. criteria B
	- Voltage Dips & Interruptions	EN 61000-4-6, 3 Vrms, perf. criteria A Continuous: EN 61000-4-8, 1 A/m, perf. criteria A 230 VAC / 50 Hz: EN 61000-4-11 30%, 25 periods, perf. criteria C >95%, 0.5 periods, perf. criteria B >95%, 250 periods, perf. criteria C

General Specifications

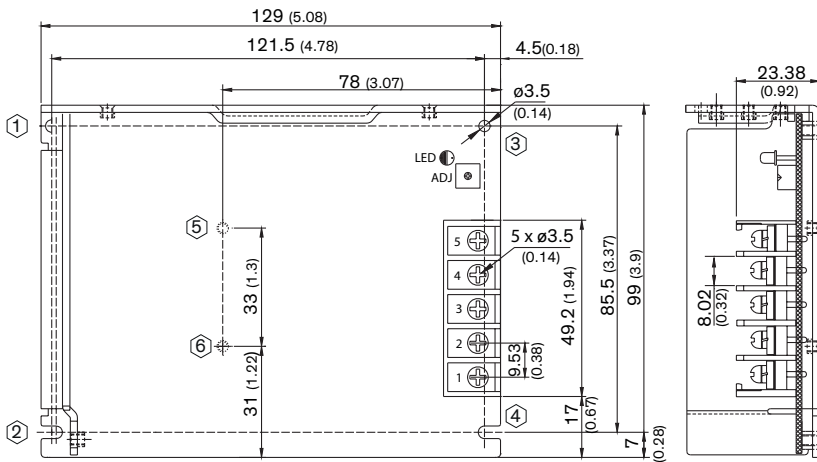
Relative Humidity		90% max. (non condensing)
Temperature Ranges	- Operating Temperature	-25°C to +70°C
	- Storage Temperature	-40°C to +85°C
Power Derating	- High Temperature	2 %/K above 50°C
	- Low Input Voltage	0.8 %/V below 115 VAC
Cooling System		Natural convection (20 LFM)
Altitude During Operation		5'000 m max.
Regulator Topology		Flyback Converter
Switching Frequency		65 kHz typ. (PWM)
Insulation System		Reinforced Insulation
Working Voltage (rated)		272 VAC
Isolation Test Voltage	- Input to Output, 60 s	3'000 VDC
	- Input to Case or PE, 60 s	1'500 VAC
	- Output to Case or PE, 60 s	500 VAC
Creepage	- Input to Output	7 mm min.
Clearance	- Input to Output	7 mm min.
Isolation Resistance	- Input to Output, 500 VDC	100 M Ω min.
Leakage Current	- Earth Leakage Current	750 μ A max.
	- Touch Current	250 μ A max.
Reliability	- Calculated MTBF	100'000 h (MIL-HDBK-217F, ground benign)
Housing Material		Aluminum
Housing Type		Metal Case
Mounting Type		Chassis Mount
Connection Type		Screw Terminal
Weight		425 g
Environmental Compliance	- REACH Declaration	www.tracopower.com/info/reach-declaration.pdf REACH SVHC list compliant REACH Annex XVII compliant
	- RoHS Declaration	www.tracopower.com/info/rohs-declaration.pdf Exemptions: 7a, 7c-I (RoHS exemptions refer to the component concentration only, not to the overall concentration in the product (O5A rule.))
	- SCIP Reference Number	42240b4d-7e0c-4f11-a084-67dcdcb2cb82c

Supporting Documents

Overview Link (for additional Documents)	www.tracopower.com/overview/txm075
--	--

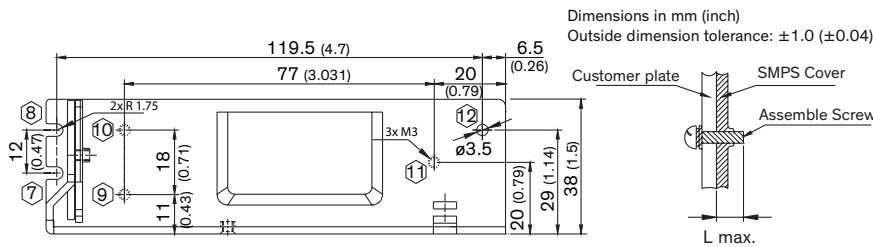
All specifications valid at 230 VAC, resistive full load and +25°C after warm-up time, unless otherwise stated.

Outline Dimensions



Pin-Out	
Pin	Function
1	AC (N)
2	AC (L)
3	PE
4	- Vout
5	+ Vout

Screw locked torque:
8.0 kgfcm (0.78 Nm) max.



Screw Definition				
Installation Method	Position No.	Screw Size	L max.	Torque max.
Bottom Installation	1-4	M3	5 (0.20)	7.0 kgfcm
	5-6	M3	3 (0.12)	6.5 kgfcm
Side Installation	7-9	M3	5 (0.20)	7.0 kgfcm
	10-12	M3	3 (0.12)	6.5 kgfcm